

Transfer Tray P 7030

Transfer Tray P 7030

This model was designed for standing/sitting desks for indoor use and has one money carriage and below one fixed pass-through. At cashier side, the fixed pass-through is closed with a flap. The unit requires at customer side a standing desk, whereas at cashier side, the cashier can work on a combined sitting/standing desk. This model is mainly used in banks and other cash areas.

Security

P 7030 corresponds to the Accident Prevention Regulations of the German Administrative Professional Association BGV C9 (UVV-Kassen).

Operation

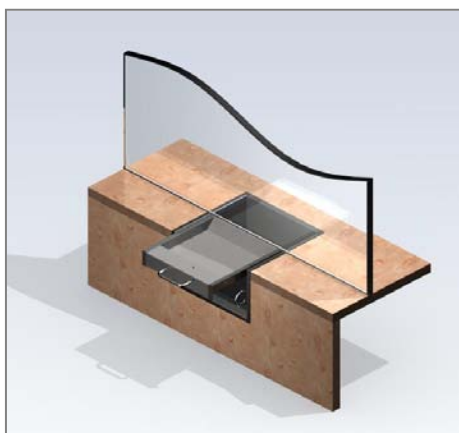
This unit is operated manually. The money carriage locks in both end positions and unlocks by pressing down the handle. In case the upper carriage is fully drawn into direction of cashier, the customer can deposit bigger objects. After the upper carriage is fully pushed to customer side, the cashier can open the flap and take off the object.

Construction and finish

Robust steel construction with long-living maintenance-free mechanics and with one steel carriage covered with stainless steel. The case has an abrasion-resistant structure lacquering (RAL 9005, Jet black).

Installation

The unit can be pushed from the outside into the prepared cut-out. The edges of the frame cover the cut-out. The unit has to be supported by e.g. consoles to make sure that the whole weight does not burden on the cover frame. It should be also possible to dismantle the unit in case of later repairs and maintenance work will be necessary.



Intercommunication System

We recommend our Intercom System Delta to allow customer-friendly communication between operator and customer.



Scope of delivery (Item No.: 100663)

Transfer Tray P 7030 - Standard Jet black, money carriage covered with stainless steel

Possible variants

P 7030, with case in special RAL-colour according to customer's request

Please contact us.

Security

Corresponds to the Accident Prevention Regulations BGV C9 (UVV Kassen)

Cash-desk cut-out:

W x D x H = 300 x 308 x 168 mm

Outer dimensions:

W x H x D = 320 x 320 x 180 mm

Inner clearance:

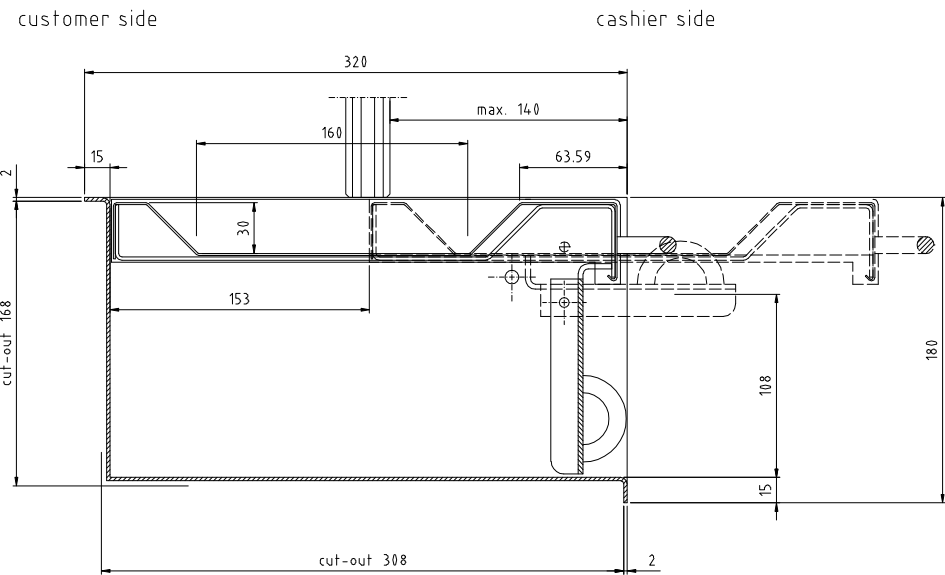
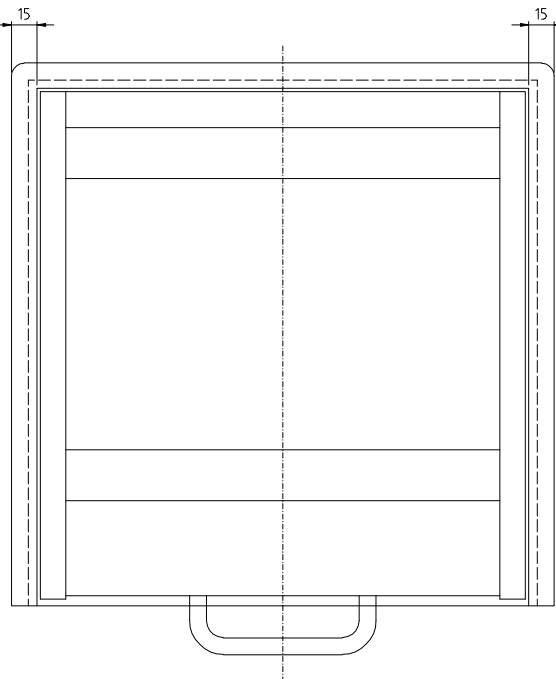
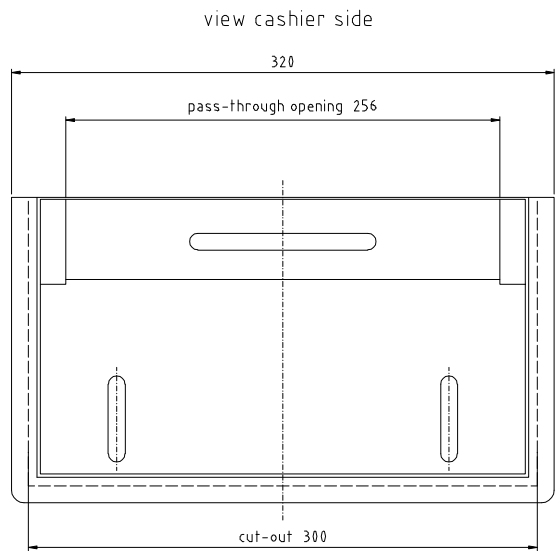
Upper tray: W x H x D = 256 x 30 x 160 mm

Lower tray: W x H x D = 256 x 108 x 240mm

Required information for order:

Name and Item No.

(Our recommendation: Intercom System Delta)



production pcs.

approval for production	Allgemeintoleranzen DIN ISO 2768-Ts Tolerierung DIN ISO 8115		Auftrag:						
	über	über	über	über	Projekt-Nr.:				
date	bis	bis	bis	bis	P 7030				
	±0,1	±0,2	±0,3	±0,3	Kunde:				
stamp and signature	Für Genauigkeit und Oberflächengüte nach ISO 2768-Toleranzklasse K				Werkstoff:				
	±0,15	±0,1	±0,2	±0,4	±0,5	±0,8	Vers. Änderung	Datum	
Für Nachbehandlung: ISO 2768-Toleranzklasse K				Wenn ohne Angabe:					
0,1 0,3 0,6 1,0 1,6 2,5				Benennung: P 7030 customer's drawing					
Das Unternehmen in dieser Zeichnung und sämtliche Fertigen verbleibt bei uns. Für den Empfänger von dem gefertigten Teil ist die Verantwortung für die weitere Weiterverarbeitung über den Empfänger zu übernehmen. Bei Änderungen der Zeichnung durch den Empfänger oder Dritte hat der Zeichner hiervon Kenntnis zu setzen.				Benennung: P 7030 customer's drawing				Artikel-Nr.:	
SITEC GMBH SOZIALISIERUNGSGEMEINSCHAFT Garten-EGG-48000-DK-19 D-96369 Weidenbrunn TELEFON: 09381/80796 TELEFAX: 09381/80700				DesName: X-P7830V7 7830 00 0 2DWG				Ursprung:	